

Intellian® i6PE

*Perfect Reception in Harsh Conditions
with the Extended Elevation Range.*



Intellian® i6PE is specifically designed for vessels traveling North Seas in high latitude regions. Compared to other wide elevation antenna systems, the i6PE has a bigger 60cm dish in a compact radome size and the built-in auto skew-angle control system. All of the benefits that the i6PE provides are included in the standard all-in-one package.

- *Fully Extended Elevation Range from -15 to +90 degrees*
- *Specially Designed Pedestal for Polar Regions like Scandinavia*
- *Built-in GPS and Auto Skew-angle Control System*
- *Unmatched Performance in 24 inch dish & 2-axis tracking system*

For more information, visit www.intelliantech.com



Unmatched Performance

24 inch dish diameter with national coverage for North & South Americas, Europe and the North seas in high latitude around global.

All-in-one System

Auto Skew-angle Control System, GPS and extended elevation range provided as a default option allow the i6PE to have enhanced signal receptions in weak satellite signal coverage areas and have accuracy and easy operation wherever the vessel sails.

Faster Signal Acquisition

Intellian's exclusive Wide Range Search (WRS) algorithm allows the antenna to search, find and lock on to a signal with incredible speed and accuracy.

A Firm Hold on the Signal

Intellian's exclusive Dynamic Beam Tilting (DBT) uses a high performance, constantly adjusting sub-reflector which allows the antenna to remain the strongest signal at all times while the vessel is cruising at high speed.

Simple & Easy Installation

With just a single cable to connect the antenna and the ACU, Intellian i6PE systems are quick and easy to install. Our advanced ACU is designed to require minimum setup so you can begin to enjoy TV programs aboard your boat in no time.

Tune in Your Favorite HDTV Channels (US use only)

Intellian's i6PE will provide reception of HD channels on the Ku-band. The HD module is actually built-in to the Antenna Control Unit of the Intellian i6PE for seamless integration and easy installation.

Built-in GPS

The Intellian i6PE includes integrated GPS for easier operation and faster signal acquisition. It allows the i6PE to have higher accuracy and easy operation wherever the vessel sails.

User-friendly Operation

Antenna Control Unit (ACU), which is supplied as a default package, gives you the user-friendly operation for various function

SPECIFICATIONS

Intellian® i6PE

**Perfect Reception in Harsh Conditions
with the Extended Elevation Range.**

Key Features

Extended Elevation Angle Range

Extended Elevation Range (-15°~ 90°) and special pedestal designed for regions that require extremely low or high antenna angles such as Scandinavia and the Equatorial regions

Automatic Polarization (Skew-angle) Control

Automatic Skew Angle Control System (-90°~ +90°) for Linear Horizontal/ Vertical Polarization.

Enhanced Antenna Design for High-seas Reception

High efficiency 60cm parabolic antenna enabled 47dBW of minimum EIRP.

Wide Range Search (WRS) Algorithm

While competitive methods search for the narrow band-width of the main lobe, Intellian's exclusive WRS looks for the wide range of side lobes and jumps up to the main lobe, providing faster satellite acquisition.

Dynamic Beam Tilting (DBT) Technology

A high-speed sub-reflector rotates off axis, checking signal strength variation 50 times per second and compensating the tracking direction. Less movement of the main-reflector means less noise and provides for longer duration of the system.

Fully Automated Digital Video Broadcasting (DVB) Identification

High Speed Identification employing a DVB Decoder with CPLD.

Built-in GPS and NMEA 0183 Interface Port

The i6PE includes a built-in GPS inside of the Antenna Unit for faster signal acquisition. The ship's GPS can also be connected through the NMEA 0183 port in the rear panel of the ACU.

HDTV-ready Antenna Control Unit (US. use only)

The i6PE's ACU includes Ku-band High Definition decoding module as its default option. The user can enjoy High Definition TV programming from Ku-band satellites

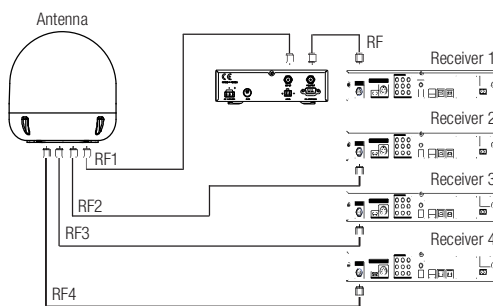
Single Cable from Antenna to ACU

Only one RG6 coaxial cable is required to connect to the Antenna to the ACU. Single cabling allows simpler configuration for installation and easier maintenance.

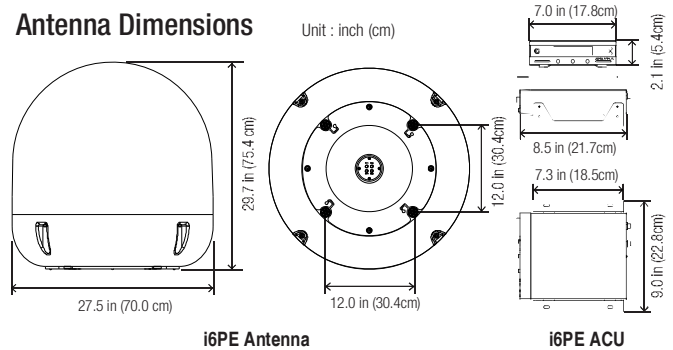
Technical Specifications

Part #	Specifications
B2-621Q (Europe), B2-623S (US)	Intellian i6PE Satellite TV Antenna System
Physical	
Radome Height	29.7 in (75.4cm)
Radome Diameter	27.5 in (70.0cm)
Antenna Dish Diameter	23.6 in (60.0cm)
Weight	45.0 lbs (20.4kg)
Environmental	
Operating Temp. Range	5°F ~ 130°F (-15°C ~ 55°C)
Storage Temp. Range	-13°F ~ 158°F (-25°C ~ 70°C)
Water Ingress	IPX6
Approvals	CE / FCC
Warranty	2-Year Parts and 1-Year Labor
Performance	
Reception Frequency	Ku-band (10.7~ 12.75GHz)
Polarization	RHCP/ LHCP or Vertical/ Horizontal
Minimum EIRP	47 dBW
Azimuth Range	680°
Elevation Range	-15° to 90°
Ship's Motion	Roll +/-25°, Pitch +/-15°
Roll & Pitch Response Rate	45° / Second
Turn Rate	45° / Second
RF Output	Quad Output
Antenna Control Unit	
Dimensions (WxDxH)	7.0 in x 8.5 in x 2.1 in (17.8cm x 21.7cm x 5.4cm)
Weight	2.6 lbs (1.2kg)
Display	2 Line 20 Character VFD Module
Control Key	5 Integrated Push Buttons
Power Input	DC 10.8 ~ 15.6V (Typ. 30W, Max. 50W)
GPS Interface	Built-in (NMEA 0183 GPS)

System Diagram



Antenna Dimensions



Intellian Technologies®
Communicate Smarter
ISO 9001 Certified

Headquarters
EMEA & APAC Region

Intellian Technologies, Inc.
7th Floor, Dongik Building
Nonhyundong, Kangnam-gu
Seoul 135-010, South Korea
Tel +82-2-515-4923
Fax +82-2-515-4903
Email info@intelliantech.com

US Headquarters
Americas Region

Intellian Technologies USA, Inc.
9261 Irvine Blvd.
Irvine, CA 92618 USA
Tel +1-949-916-4411
Toll Free +1-888-201-9223
Fax +1-949-271-4183
Email info@intelliantech.com

For more info, visit intelliantech.com